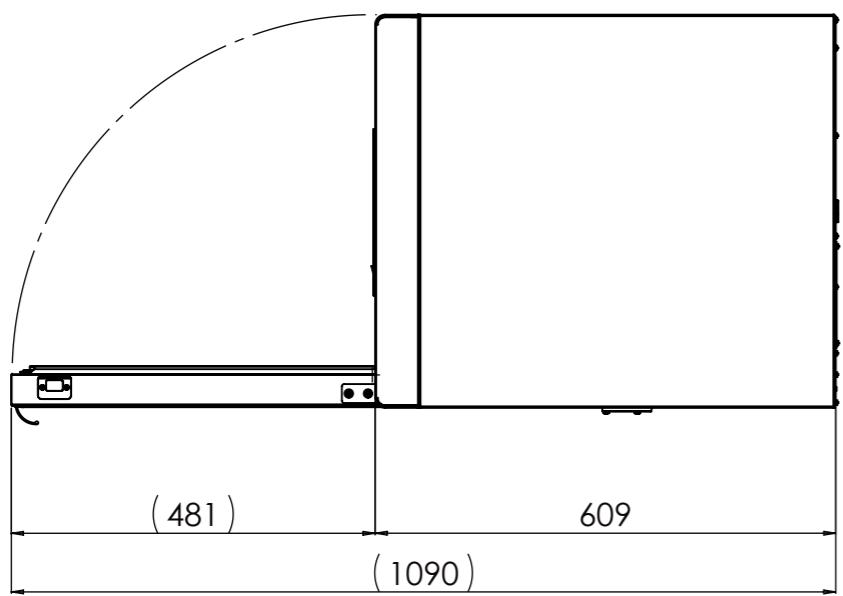
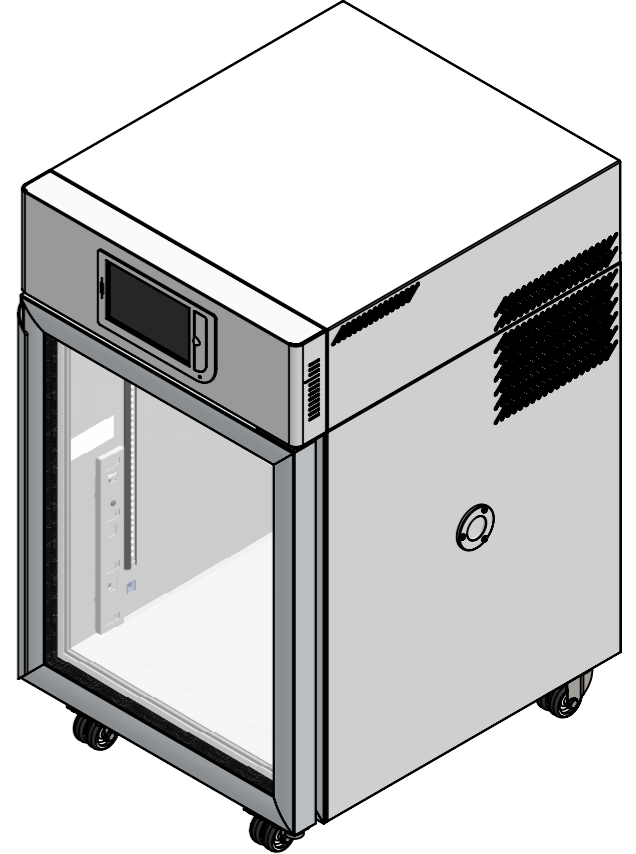


SECTION A-A



	<p>EMOTECA 102 ECT-F TOUCH DME0102</p>	
<p>Classe di tolleranza richiesta "m" secondo UNI EN 227681, a meno di diversa indicazione da disegno. Fiocchetti si riserva a termini di legge la proprietà del presente disegno con divieto di riprodurlo o comunicato a terzi senza sua autorizzazione. Le immagini hanno scopo puramente dimostrativo. Le caratteristiche e gli accessori del prodotto possono differire in base a modello e applicazione.</p>	<p>Allowed tolerance class 'm' according to EN 227681, unless otherwise specified in the drawing. Fiocchetti retains ownership of this design in accordance with the law. It is forbidden to reproduce or forward it to third parties without permission. Images are for demonstration purposes only. Product features and accessories may differ according to model type and application.</p>	<p>Classe de tolérance "m" selon UNI EN 227681, sauf indication contraire sur la fiche. Fiocchetti se réserve la propriété de cette fiche avec interdiction de sa reproduction ou communication à des tiers, sans autorisation de l'auteur. Les images sont uniquement à des fins de démonstration. Les caractéristiques du produit et les accessoires peuvent différer selon le modèle et l'application.</p>
<p>Allowed tolerance class 'm' according to EN 227681, unless otherwise specified in the drawing. Fiocchetti retains ownership of this design in accordance with the law. It is forbidden to reproduce or forward it to third parties without permission. Images are for demonstration purposes only. Product features and accessories may differ according to model type and application.</p>	<p>Allowed tolerance class 'm' according to EN 227681, unless otherwise specified in the drawing. Fiocchetti retains ownership of this design in accordance with the law. It is forbidden to reproduce or forward it to third parties without permission. Images are for demonstration purposes only. Product features and accessories may differ according to model type and application.</p>	<p>Clase de tolerancia "m" según UNI EN 227681, a menos que se indique lo contrario en la ficha. Fiocchetti reserva la propiedad de esta ficha con prohibición de su reproducción o comunicación a terceros, sin autorización. Las imágenes son sólo para fines de demostración. Las características y accesorios del producto pueden diferir según el modelo y la aplicación.</p>